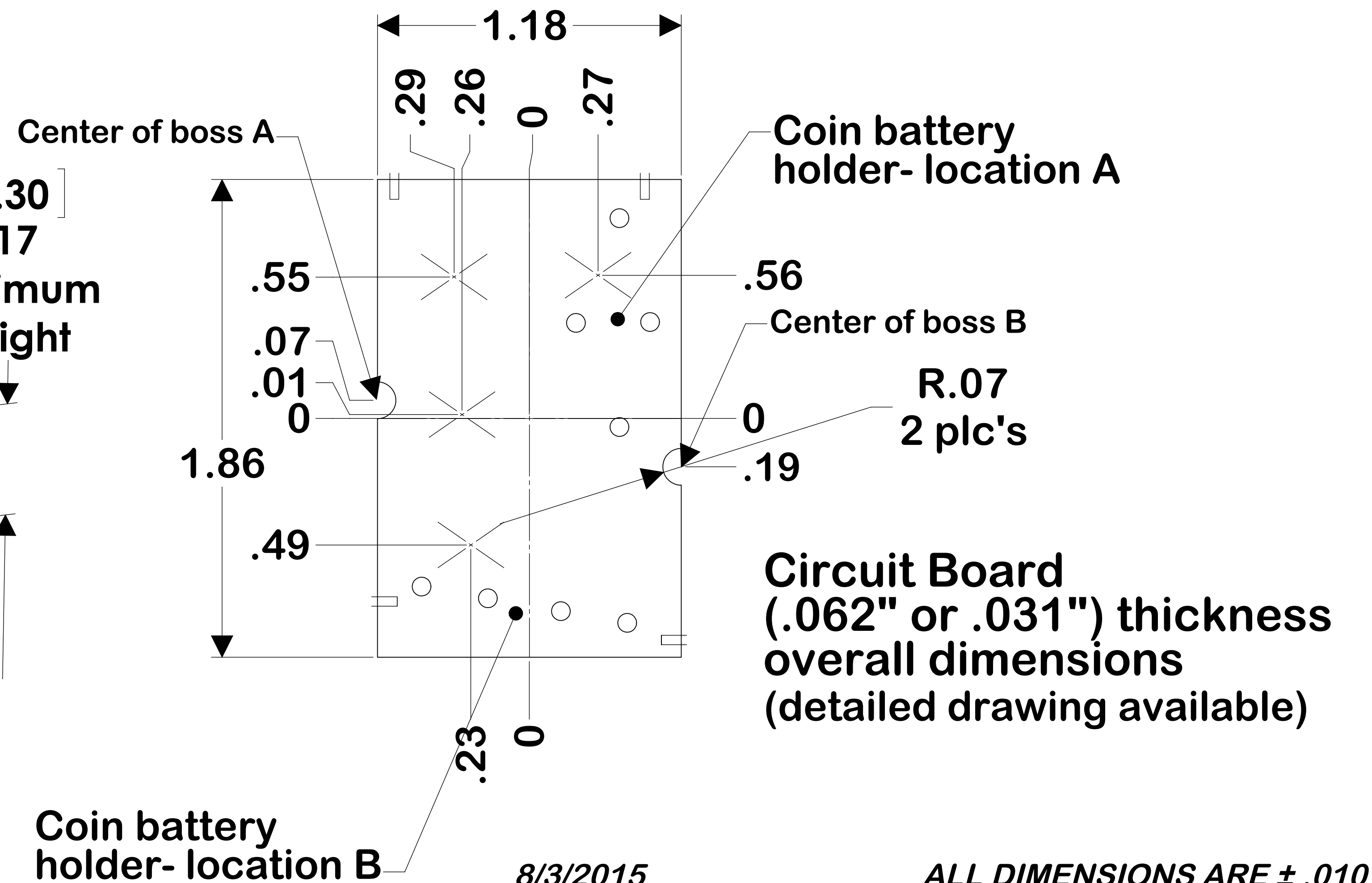
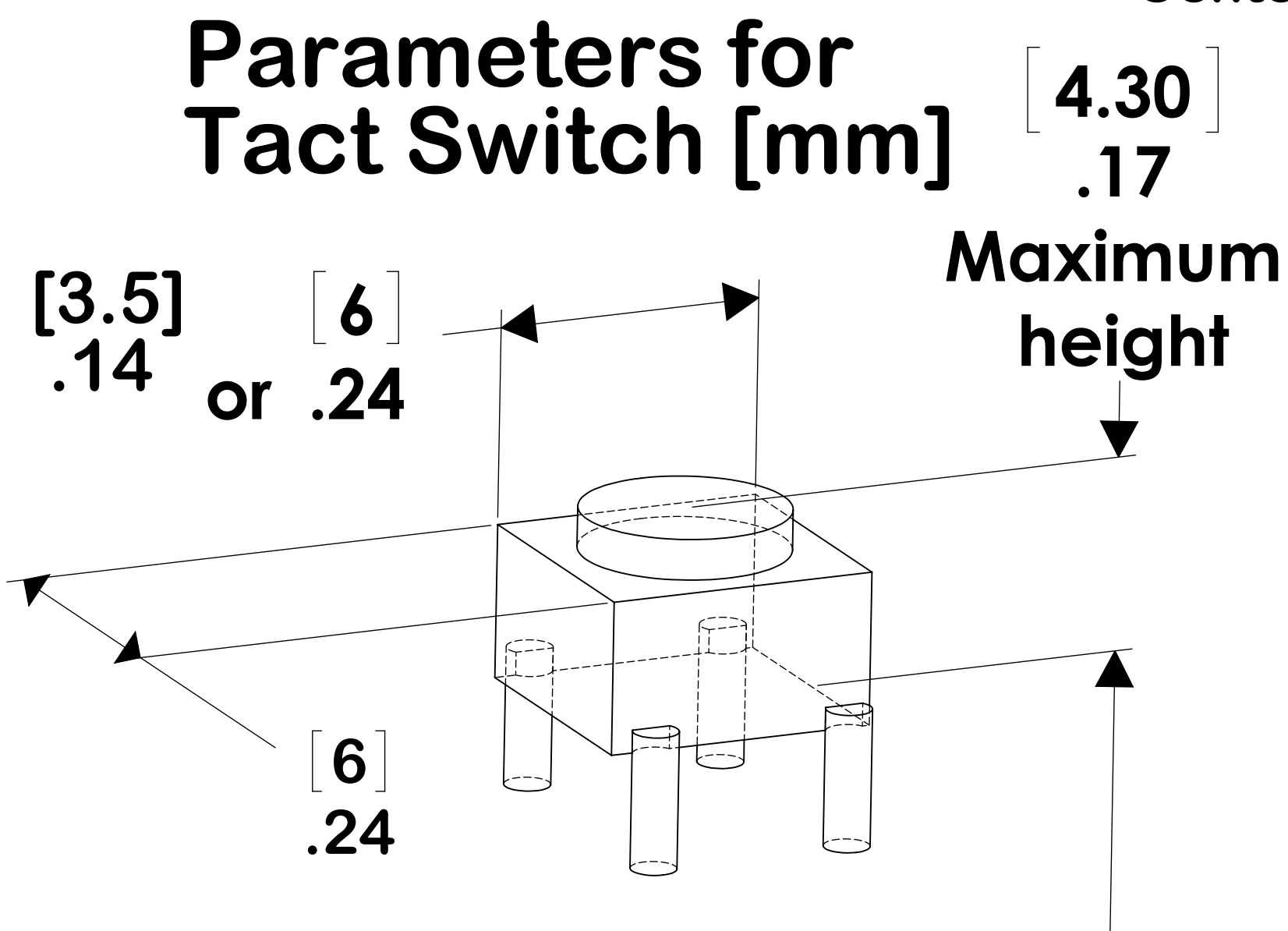


NOTES: #2 SCREWS

1) Serpac Provides the following components:
 Top, Bottom, #2 Screws and a Ring
 All Components are shipped unassembled.
 Buttons, (4) are attached to top.

2) The following components fit this enclosure.

	Manufacturer	PN option I	PN option II
A	OMRON	6mm type: B3F-1000, B3F-1002, B3F-1020	
A	PANASONIC	6mm EVQ-P1D05M, EVQ-PAG04M, EVQ-PAE04M	6 X 3.5mm type: EVQ-PJA04Q, EVQ-PJA05Q, EVQ-PJB04K
Other switches manufacturers and types will fit the unit. Please see parameters for Tact Switch sketch.			
B+	KEYSTONE	3003 positive	
B-	KEYSTONE	2990 negative	



Circuit Board
 (.062" or .031") thickness
 overall dimensions
 (detailed drawing available)